

PROJECT:		PREPARED BY:	
PART #		QTY:	
NOTES:		DATE:	

 SPECIFICATION · IDEAL



We Shape Art-chitecture
Wall Washer Series - IDEAL
 2022

Application

Low power consumption, high brightness. Support for a variety of customization including: pixel pitch, LED color (RGB, RGBW or Single Color). An integrated double-colored mold design, P68 protection grade, UL94-V0 flame retardant grade, Class III electrical safety, ensure effectively the stability of the lamp in outdoor environment for all weather conditions. Flexible mounting performance for a variety of irregular structures, easy installation and maintenance. Cost-effective for large scale installation. (Glass curtain walls, large building Display, Decorations, 3D shapes, etc.)

Lighting Performance

Customizable for different LED options (RGB, RGBW, White, Dynamic White, Single Color). With two different versions: clear or diffused. Color resolution of 16 bits, effects are more stylish and smooth; Exceeding the DMX protocol with more capacity and flexibility by utilizing our proprietary.

Lighting Structure

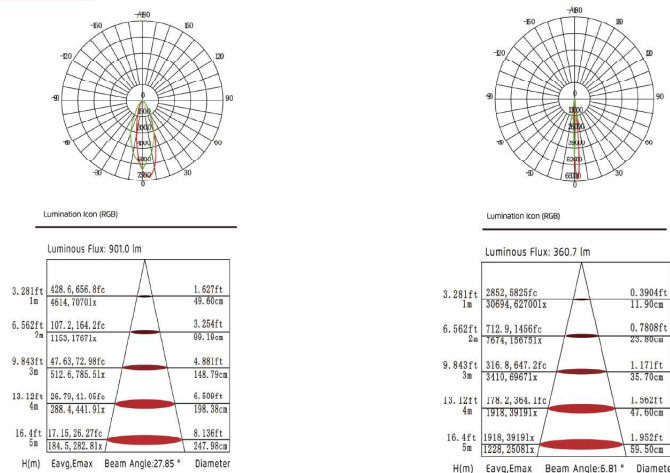
UV-resistant PC housing, Light-weight, Excellent anti shock ability, Long life and not easy to be aging or yellowing, can be mount on the building surface by bracket. The Steel wire and Aluminum Profile installation ensure reliable connections, while flexible and varied mounting options make it easy for installers to make LED fixture part of any structure.

SPECIFICATION

Model	IDEAL-RGB-1000mm	IDEAL-RGBW-1000mm	IDEAL-W-1000mm
Chip Brand	CREE/EPISTAR	CREE/EPISTAR	CREE/EPISTAR
LED Source	48 SMD RGB	48 SMD RGB	48 SMD W
Grey Scale	65536	65536	65536
Beam Angle	15 °/20°/30°/45 °/60 °/ 25* 30°/25* 40°	15 °/20°/30°/45 °/60 °/ 25*30°/25* 40°	8 °/15°/30°/45 °/60 °/ 25* 30°/15* 35°
Housing	Aviation Aluminum	Aviation Aluminum	Aviation Aluminum
Surface Coating	Oxiation/Electrostatic Coating	Oxiation/Electrostatic Coating	Oxiation/Electrostatic Coating
Housing Color	Silver/Customized	Silver/Customized	Silver/Customized
Bracket	Aluminum Alloy	Aluminum Alloy	Aluminum Alloy
Cover	Glass	Glass	Glass
Weight	4.3Kg	4.3Kg	4.3Kg
Certification	ETL、CE、ROHS	ETL、CE、ROHS	ETL、CE、ROHS
Operating Voltage	DC 24V	DC 24V	DC 24V
Power Consumption	80 W	80 W	72 W
Ingress Protection	IP 65	IP 65	IP 65
Fire Protection Rating	UL94-V0	UL94-V0	UL94-V0
Operating Temperature	-35~60°C	-35~60°C	-35~60°C
Storage Temperature	-40~70°C	-40~70°C	-40~70°C
Lifespan	≥80000h	≥80000h	≥80000h
Control	DMX512	DMX512	ON-OFF or DMX512
Regular Size	1m、0.5m、0.3 m	1m、0.5m、0.3 m	1m、0.5m、0.3 m

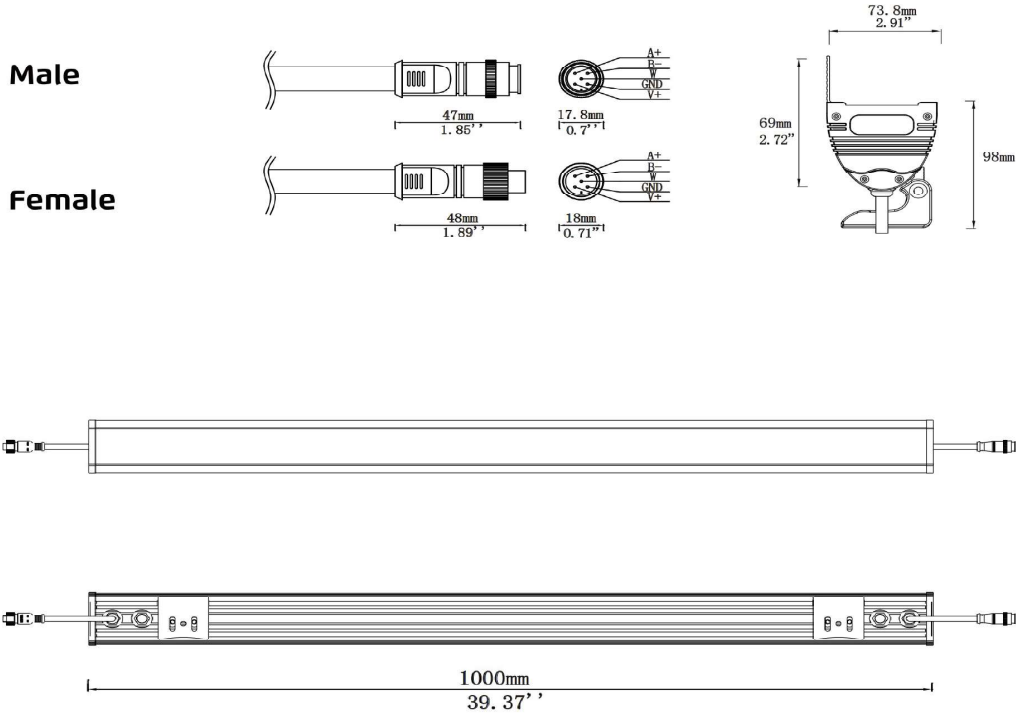
※ Specification is subject to changes without prior notice for product improvement.

Optical Parameters:

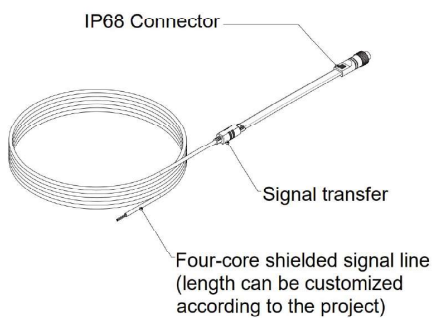


PROJECT:		PREPARED BY:	
PART #:		QTY:	
NOTES:		DATE:	

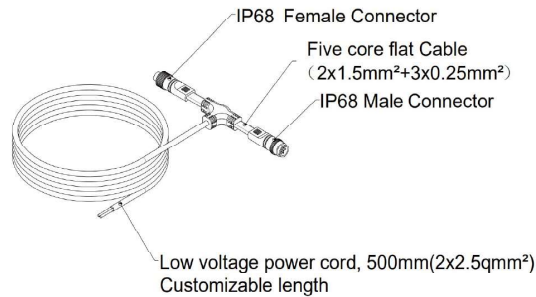
Product Structure Drawing (mm)



Installation Accessories



Signal Adapter

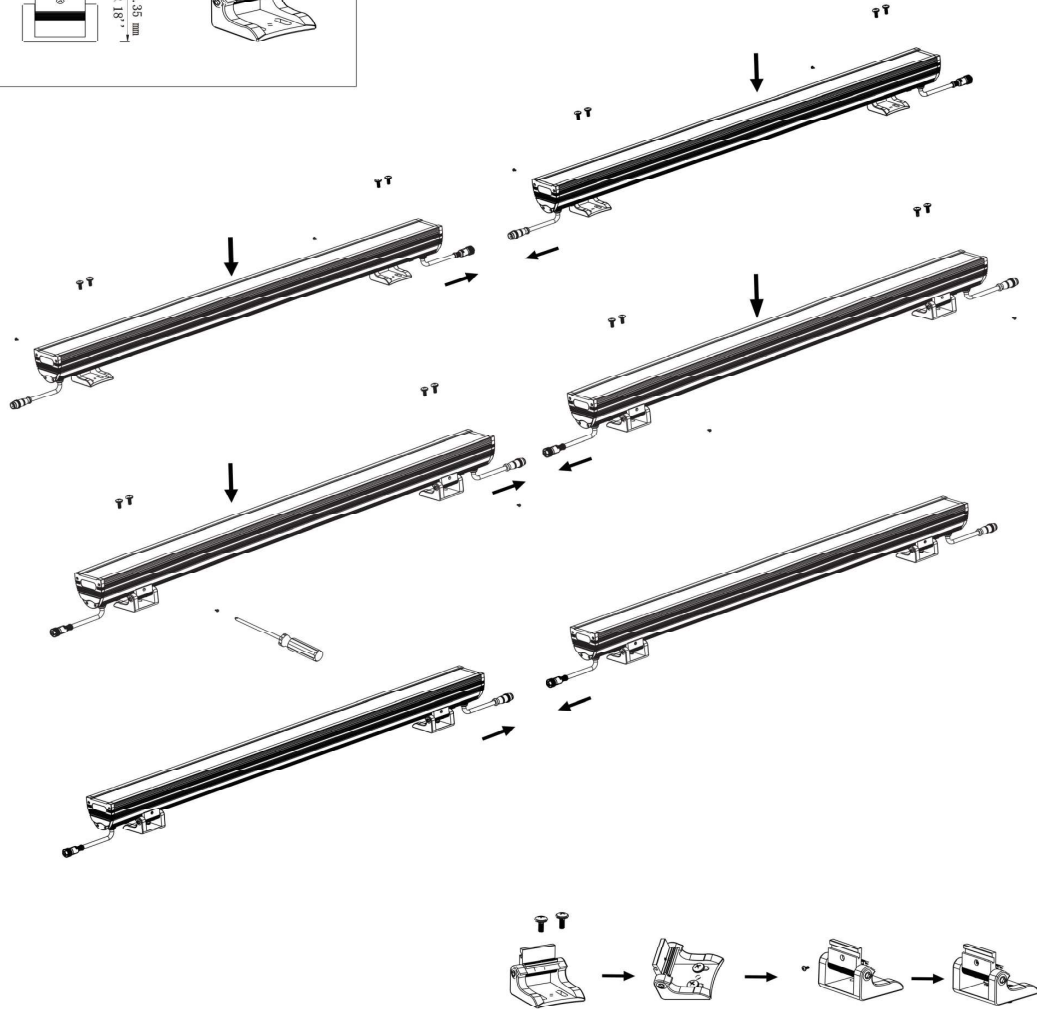
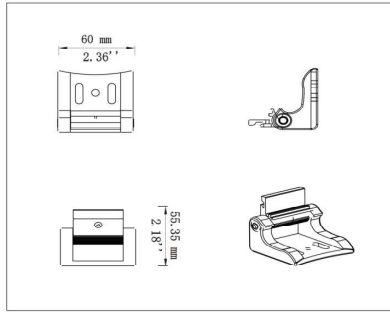


Power T Connector

PROJECT:		PREPARED BY:	
PART #		QTY:	
NOTES:		DATE:	

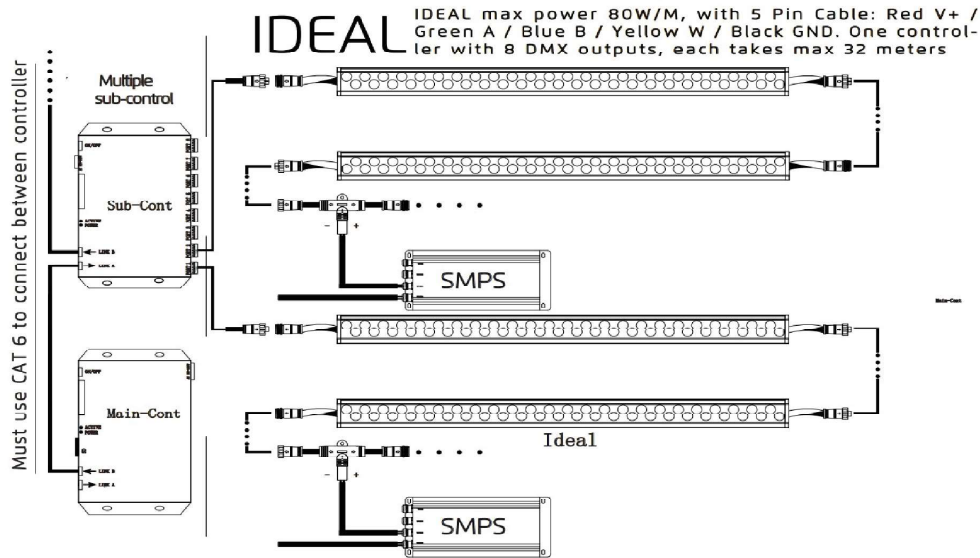
Specification · IDEAL

Installation Method



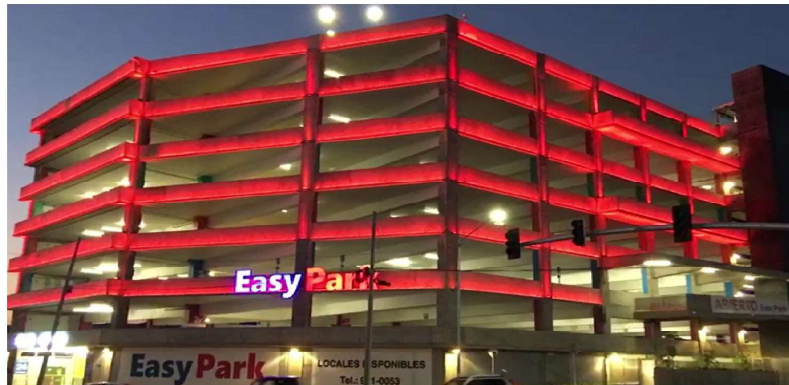
PROJECT:		PREPARED BY:	
PART #:		QTY:	
NOTES:		DATE:	

Control System Diagram



※ The actual system diagram may subject to change from the above example.

Project Cases



Specification · IDEAL