

LLC ORB POST TOP LIGHT

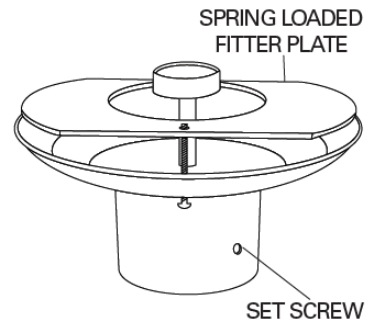
LLC ORB Series GLOBE POST TOP Fixture. Acrylic Globe fits to standard 3" post/pole. Available in three sizes, it utilizes a E39 (Mogal) Base which we can offer a series of lamps for, Whites (warm, cool and cold) and also LLC BLE LED SMART LAMP. Ideal for vibrant color mixing lighting to your Cityscapes, Bridges, Parks, Shopping Areas and Campuses.



FITTER
I.D. = 3"

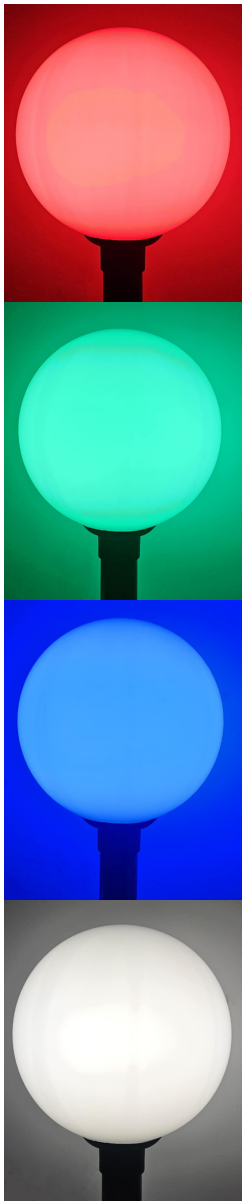
Features:

- Post Top Mount Only – Standard 3" Post
- Available in 3 Sizes: 16", 18" or 20"
- Available with: Acrylic or Polycarbonate Lens
- Plastic ABS Fitter assembly w/ E39 Mogal Base
- Power: 120V, 50/60 Hz
- IP Rating: IP65 – Wet location
- Certifications: ETL / Buy American
- Available Lamps: LLC Smart Lamp 30/60W or Whites

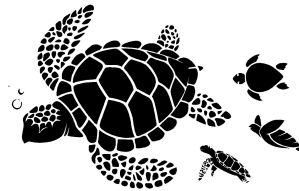


| PART CODE | DESCRIPTION |
|-------------|---|
| 20016-WH-5N | GLOBE - 16" DIA, ACRYLIC, 5.25" OPENING - WHITE (OPAL) |
| 10016-WH-5N | GLOBE - 16" DIA, POLYCARBONATE, 5.25" OPENING - WHITE (OPAL) |
| PF-5.25-B/W | PLASTIC FITTER ASSEMBLY W/ MOGAL BASE & WIRING BLACK OR WHITE |
| 20018-WH-5N | GLOBE - 18" DIA, ACRYLIC, 5.25" OPENING - WHITE (OPAL) |
| 10018-WH-5N | GLOBE - 18" DIA, POLYCARBONATE, 5.25" OPENING - WHITE (OPAL) |
| PF-5.25-B/W | PLASTIC FITTER ASSEMBLY W/ MOGAL BASE & WIRING BLACK OR WHITE |
| 20020-WH-5N | GLOBE - 20" DIA, ACRYLIC, 5.25" OPENING - WHITE (OPAL) |
| 10020-WH-5N | GLOBE - 20" DIA, POLYCARBONATE, 5.25" OPENING - WHITE (OPAL) |
| PF-5.25-B/W | PLASTIC FITTER ASSEMBLY W/ MOGAL BASE & WIRING BLACK OR WHITE |

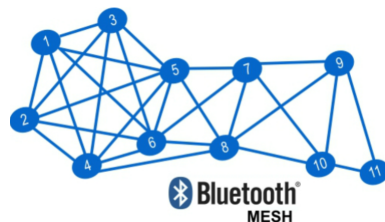
LLC-ORB POST TOP LAMP OPTIONS



WildLife Friendly Lighting



580 - 620 Nm (Amber-Red)



NOTE: LAMPS SOLD SEPARATELY

Features:

- White Balance control
- Supports Bluetooth 5 technology (making it ideal for street light applications)
- Control via long range Blue-tooth Mesh up to 200M (656')
- Scalable network can contain 250 Lights on one mesh or cloud gateway (secure)
- Can sync gateways together for miles of connected, secure, remotely managed lighting via Cloud API (WiFi or cellular)
- Powerful Control App provides for individual control over each light, with options to group lights together
- Astrological clock timer for scheduled setting changes
- Easy, plug and play installation - no additional wiring needed
- Offers over 16.7 million colors
- Lumens: Approx 73lm W
- Dimming from 0-100%
- Wildlife Friendly (580 – 620nm)
- 30W Dimensions: Ø100mm (3.94") X 200mm (7.9")
- 60W Dimensions: Ø100mm (3.94") X 250mm (9.84")
- Certifications: ETL / CE / RoHS
- Warranty: 3 Years (extended to 5 Year available)
- Patent: Pending



| PART CODE | DESCRIPTION | O/D SIZE |
|---------------------|---|----------|
| BB-HJD-30W-P | LED CORN LAMP (TYPE P) 30W, 150lm/w, D3.94*8.46" 2.7/3/4/5K (HPS-125W) ETL, 5YR | 16" |
| BB-HJD-40W-P | LED CORN LAMP (TYPE P) 40W, 150lm/w, D3.94*8.46" 2.7/3/4/5K (HPS-150W) ETL, 5YR | 18" |
| BB-HJD-60W-P | LED CORN LAMP (TYPE P) 60W, 150lm/w, D3.94*9.84" 2.7/3/4/5K (HPS-200W) ETL, 5YR | 20" |
| LLC-30W-RGBW-BLE-CL | 30W LED SMART LAMP, RGBW, 2200lm, BLE Mesh, 100-277VAC (ETL) 3YR | ALL |
| LLC-60W-RGBW-BLE-CL | 60W LED SMART LAMP, RGBW, 4400lm, BLE Mesh, 100-277VAC (ETL) 3YR | 18-20" |
| CAS-RET-100-BLE-XX | LONGRANGE BLE EXTENDER (up to 650FT, line of sight) | |
| CAS-1-GTW-XX | CASAMBI 1 MESH CLOUD GATEWAY (250 lights per gateway) | |
| PSC-TKP-200-BLE-CB | LINE VOLTAGE TIME KEEPER (BATTERY BACKUP 24HOURS) | |

