

PROJECT:		PREPARED BY:	
PART #		QTY:	
NOTES:		DATE:	

GC Series TL-400 PORTABLE TOWER LIGHT



TL-400

Deployable portable lighting in one bespoke robust package.

Portable Light Tower



PROJECT:		PREPARED BY:	
PART #		QTY:	
NOTES:		DATE:	

GC Series TL-400 PORTABLE TOWER LIGHT

SPEEDY DEPLOYMENT
MULTIPLE LIGHTING DISTRIBUTION



Single latch to release tripod

Deploy or fold in seconds.



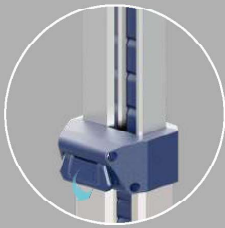
PROJECT:		PREPARED BY:	
PART #		QTY:	
NOTES:		DATE:	

GC Series TL-400 PORTABLE TOWER LIGHT



Self-locking Pole

Drag & Lock at any position, contraction in one push.



Press down to fold the pole



180°

180°

330°

360°+
up/ down/ left/ right adjustable

In built damping mechanism for ease of adjustment to cover lighting area required.

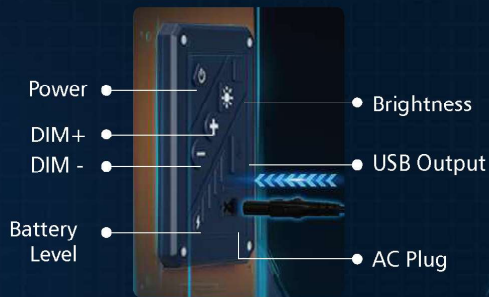
PROJECT:		PREPARED BY:	
PART #		QTY:	
NOTES:		DATE:	

GC Series TL-400 PORTABLE TOWER LIGHT

Ultra-long Endurance

Standard Mode Up To **20+** Hours
(3xD24-100)

Control Board



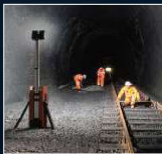
Application



Emergency



Infrastructure



Railway



Event



Maintenance



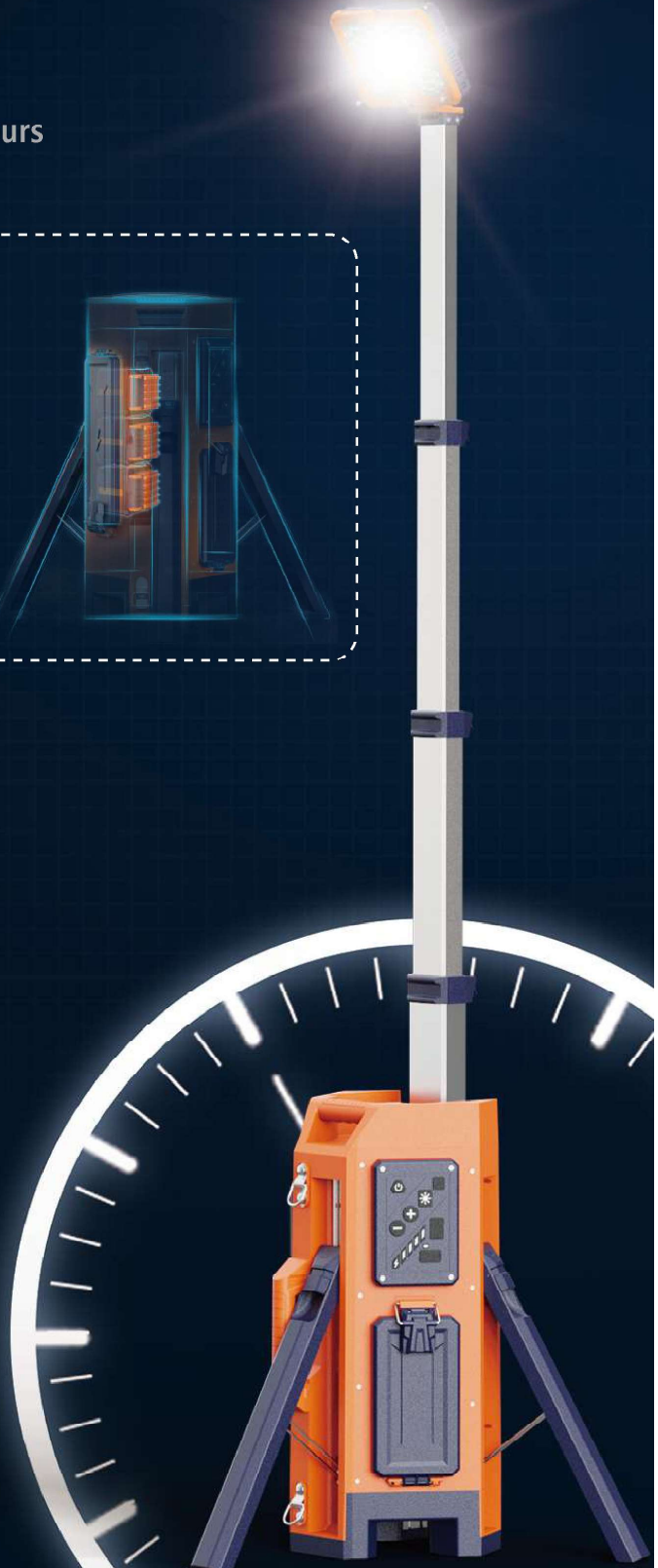
Mining



Sport



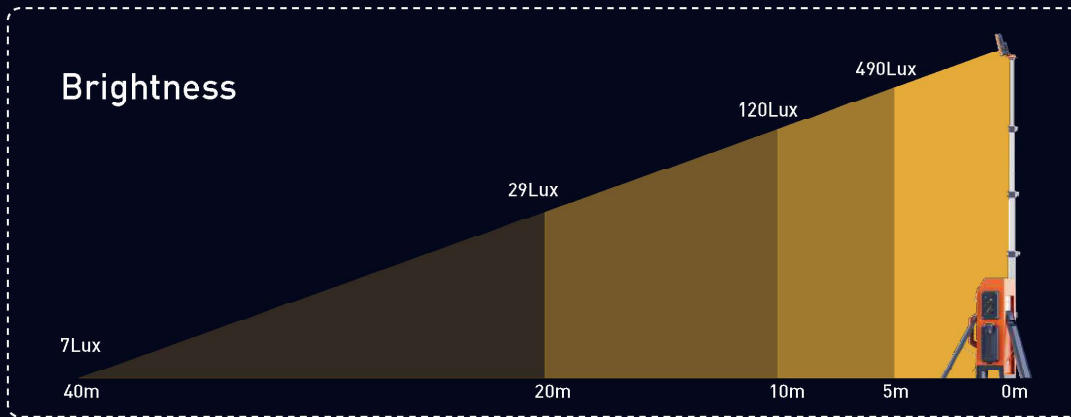
Construction



GC Series TL-400 PORTABLE TOWER LIGHT

AC Powered
Up To **15,000** LM

Battery-powered
Up To **8,000** LM



* 'Brightness' represents the center point illuminance value of the lighting direction.

AC	0-15,000LM Stepless Dimmable	
Battery (4 Mode)	Turbo	8,000LM
	Standard	5,000LM
	Balanced	3,000LM
	Eco	800LM



Lighting Area
1100m²

* 'Lighting Area' represents the total lighting area of which > 1Lux.