

PROJECT:		PREPARED BY:	
PART #		QTY:	
NOTES:		DATE:	

GC Series TL-200 PORTABLE TOWER LIGHT



TL-200

Deployable portable lighting in one bespoke robust package.

Portable
Light
Tower



PROJECT:		PREPARED BY:	
PART #		QTY:	
NOTES:		DATE:	

GC Series TL-200 PORTABLE TOWER LIGHT

LIGHTER, BRIGHTER, FASTER DEPLOYMENT

Unfolding or folding the TL-200 takes just two steps, in under 10 seconds.

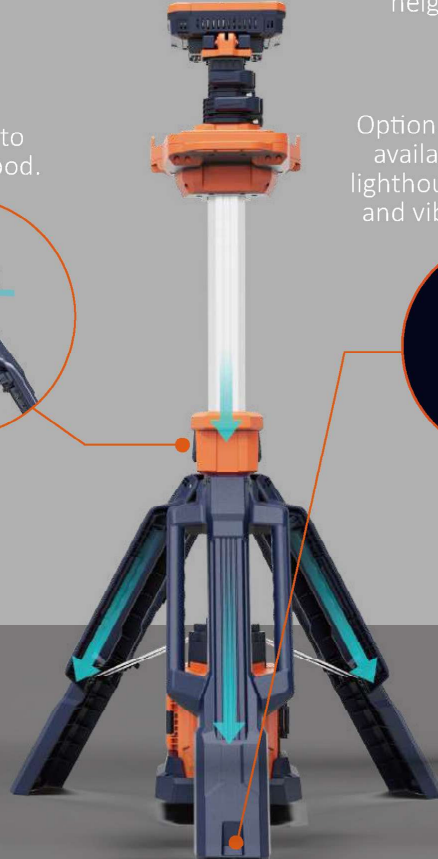
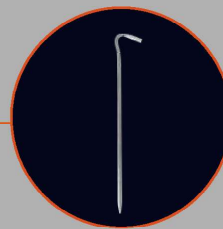


Secure the lamp at any height with the buckle.

One keys to release tripod.



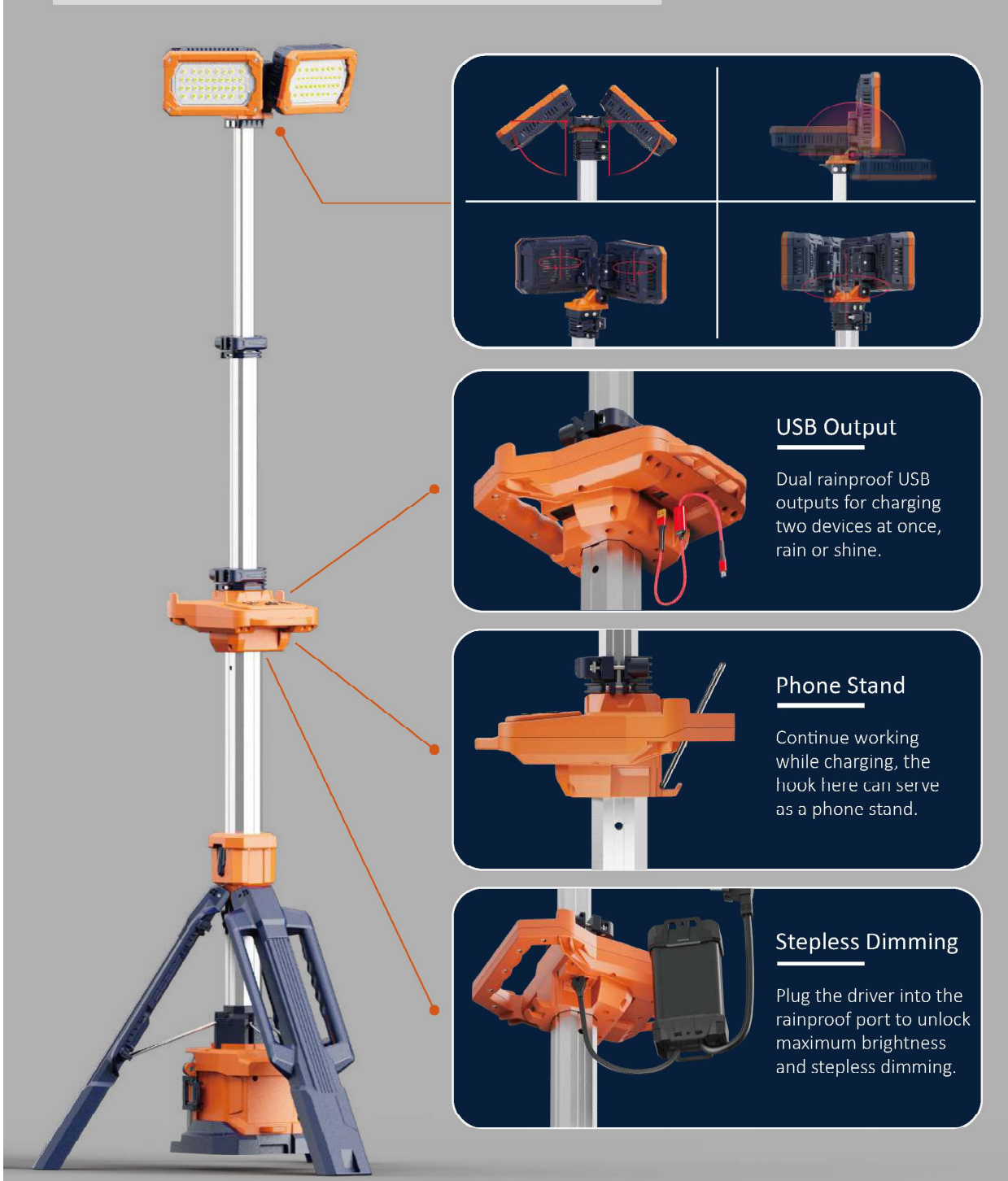
Optional ground pegs are available to secure the lighthouse, providing wind and vibration resistance.

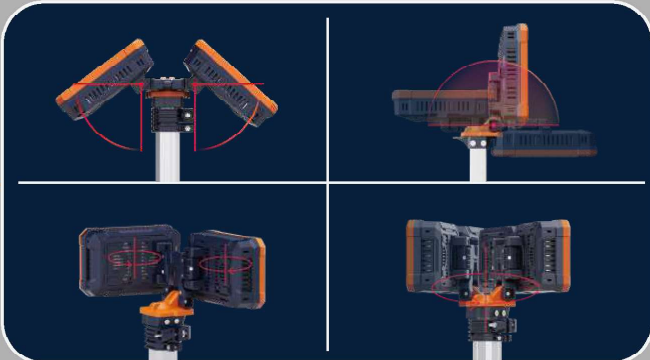


PROJECT:		PREPARED BY:	
PART #		QTY:	
NOTES:		DATE:	

GC Series TL-200 PORTABLE TOWER LIGHT

HUMANIZED DESIGN HIDDEN
IN THE DETAILS





USB Output

Dual rainproof USB outputs for charging two devices at once, rain or shine.

Phone Stand

Continue working while charging, the hook here can serve as a phone stand.

Stepless Dimming

Plug the driver into the rainproof port to unlock maximum brightness and stepless dimming.



PROJECT:		PREPARED BY:	
PART #		QTY:	
NOTES:		DATE:	

GC Series TL-200 PORTABLE TOWER LIGHT

Ultra-long Endurance

Standard Mode Up To **8+** Hours
(D24-100 & Dual-head Version)

2 type of battery packs with different capacities have same contact slot.



D24-54

Typical working hours 22 hours on TL-200 Eco mode.



D24-100

Doubled typical working hours to 45 hours.

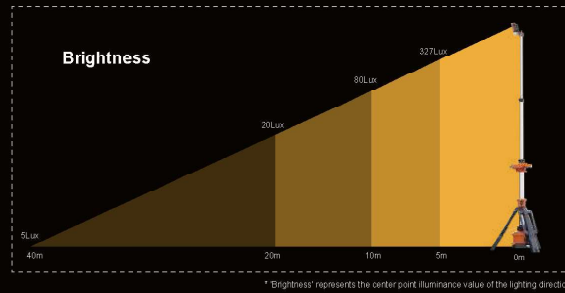
**Two Options Available
Single Head Or Brighter Dual-head Version**



GC Series TL-200 PORTABLE TOWER LIGHT

▪ **Dual-head**

AC	0-11,000LM Stepless Dimmable	
Battery (4 Mode)	Turbo	5,000LM
	Standard	3,000LM
	Balanced	1,800M
	Eco	500LM



▪ **Single Head**

Battery (4 Mode)	Turbo	3,000LM
	Standard	2,000LM
	Balanced	1,200M
	Eco	350LM

AC Powered

Up To **11,000** LM

Battery-powered

Up To **5,000** LM



PROJECT:		PREPARED BY:	
PART #		QTY:	
NOTES:		DATE:	

GC Series TL-200 PORTABLE TOWER LIGHT



Construction



Maintenance



Infrastructure



Camping



Railway



Mining



Emergency



Sport

One person operation

Less than 6Kg exclude battery.



2.3m

1.0m



GC Series TL-200 PORTABLE TOWER LIGHT

Specifications

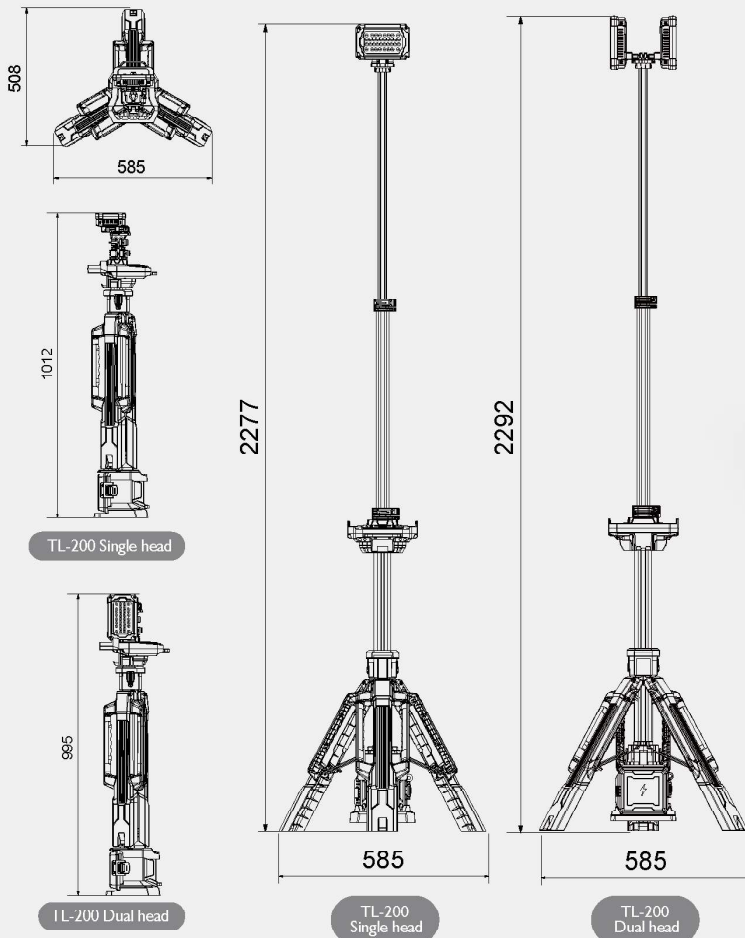
TL-200 Dual head

Hight	1m~2.3m
Weight	6.3Kg (Fitting only)
Power Supply	D24 series battery pack / AC 100-277V
Lumens	0 - 11,000Lm
Run Times	>8 hours (Standard mode, D24-100)
IP Grade	IP66
Output(USB)	5V 2A (2 Dock)

TL-200 Single head

Hight	1m~2.3m
Weight	5.9Kg (Fitting only)
Power Supply	D24 series battery pack
Lumens	0 - 3,000Lm
Run Times	>8 hours (Standard mode, D24-100)
IP Grade	IP66
Output(USB)	5V 2A (2 Dock)

Size (mm)



Package

Model	TL-200 Single head	TL-200 Dual head
Size of Carton	1070x240x300mm	1070x240x300mm
Gross Weight of Carton	7.2KG±5%	7.6KG±5%
PCS/Carton	1	1

