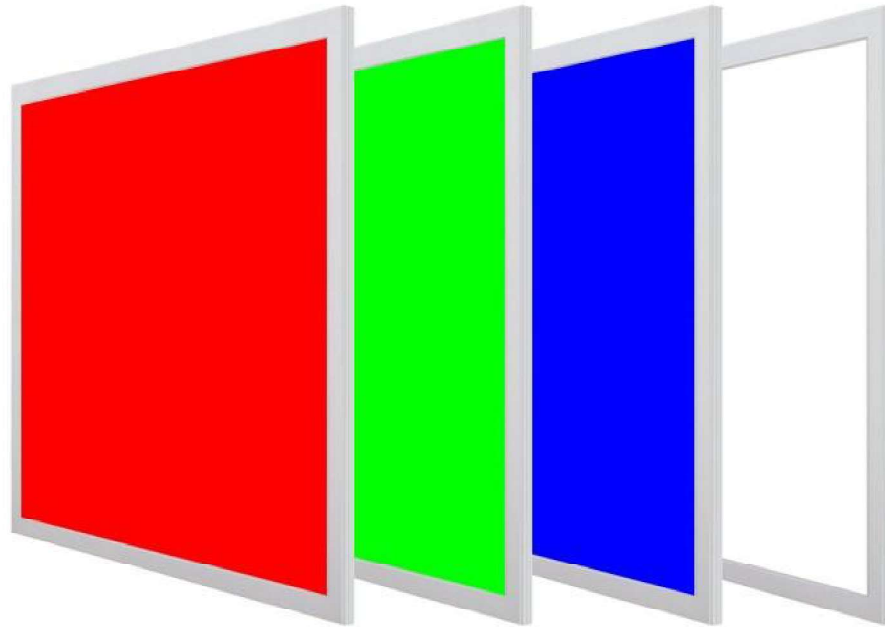


ETL RGB ,RGBW,RGB CCT LED Panel Light



UL Certified, RoHS Compliant.



Areas of Application

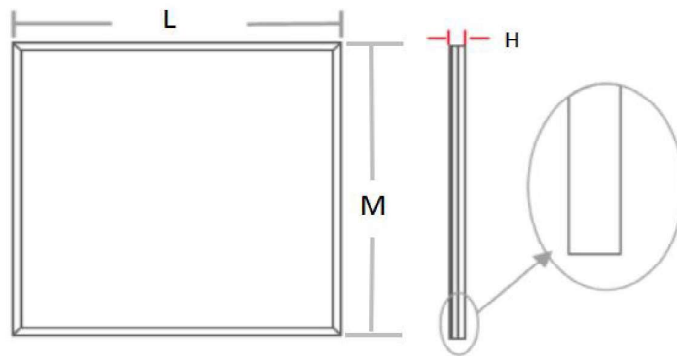
- KTV, Karaoke Bar, Skating Rink, Hotel
- Kindergarten, Restaurant, Show room
- Furniture lighting, drawing sand table and medical tools

COMPETITIVE ADVANTAGES

- Exclusive Products, ETL listed control No.5013018
- Excellent light emitting uniformity with 10 years abundant light design experience
- Use extra bright SMD RGB+White SMD3528, Long lifespan with low light decay
- Compatible with DMX, Wifi, Bluetooth, Tuya smart app control, Amazon Alex and so on
- Controlled by constant voltage DC24V flicker free 2-1 junction box power diver
- RGB, RGBW, and RGB CCT color can be choose, and white color light efficiency can reach 100lm/w

PRODUCT DATA SHEET

RGB,RGBW,RGB CCT Series Dimension



Unit: inch(mm)

Part No.	L(mm)	W(mm)	H(mm)
YLL-P01	301	1213	11.5
YLL-P04	603	603	11.5
YLL-P07	603	1213	11.5
YLL-P02	301	1213	11.5
YLL-P05	603	603	11.5
YLL-P08	603	1213	11.5
YLL-P03	301	1213	11.5
YLL-P06	603	603	11.5
YLL-P09	603	1213	11.5

Major Parameters

Item No.	LED Type	Power	CCT (K)	PF	CRI	Luminous efficiency	Lumen(Lm)		Warranty
							WW	White	
LL-YLL_P1	SMD3528RGB	34W ±5%	R:622-627nm G:515-520nm B:465-470nm	0.65	>80				5years
LL-YLL_P4	SMD3528RGB	34W ±5%		0.65	>80				
LL-YLL_P7	SMD3528RGB	60W ±5%		0.65	>80				
LL-YLL_P2	SMD3528RGB+W	36W ±5%	3000k 4000k 6000k	0.65	>80	95-100 lm/w	3360	3560	
LL-YLL_P5	SMD3528RGB+W	36W ±5%		0.65	>80	95-100 lm/w	3360	3560	
LL-YLL_P8	SMD3528RGB+W	60W ±5%		0.65	>80	95-100 lm/w	5400	5900	
LL-YLL_P3	SMD3528RGB+WW	36W ±5%	2800~6500	0.65	>80	95-100 lm/w	3360	3560	
LL-YLL_P6	SMD3528RGB+WW	36W ±5%	2800~6500	0.65	>80	95-100 lm/w	3360	3560	
LL-YLL_P9	SMD3528RGB+WW	60W ±5%	2800~6500	0.65	>80	95-100 lm/w	5400	5900	

Beam Angle	Led lifespan	Protection Level	Materials
120°	>50,000Hrs	IP40	Alu Frame+ PMMA LGP+PS Diffuser Plate

Operation Temperature/Humidity	Storage Temperature/Humidity
-20°C~40°C, 10%~60%RH	10°C~40°C, 50%~70%RH

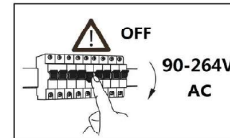


DMX CONNECTION instruction

Electrical connection:

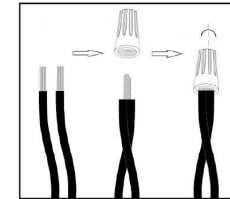
Step 1:

Switch off the power supply.

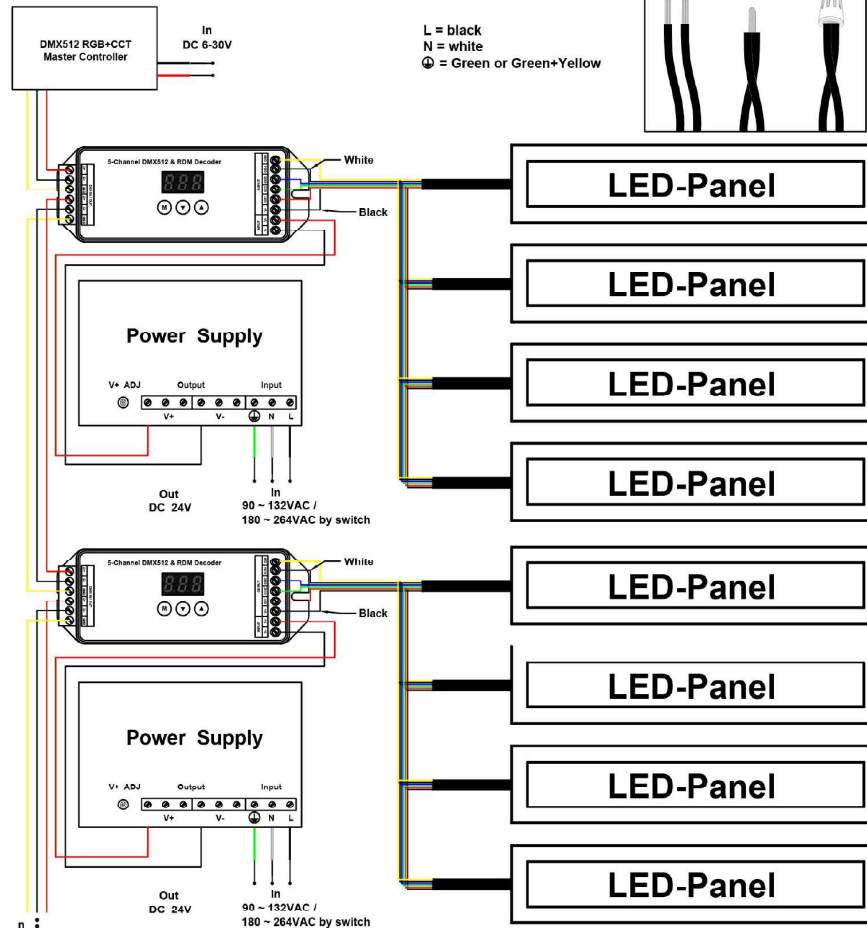


Step 2:

Connect the luminary to the controller and the power supply as shown below.

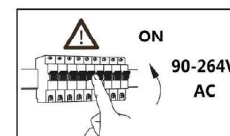


L = black
N = white
⊕ = Green or Green+Yellow



Step 3:

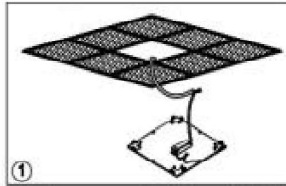
After mounting switch on the power supply.



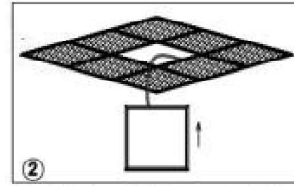
NA DMX

Installation way

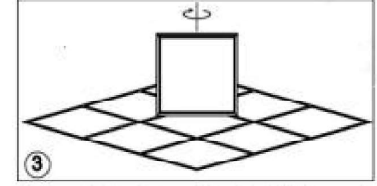
1. Recessed mounting



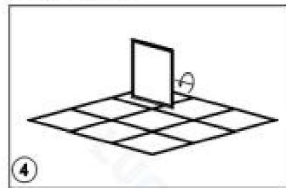
- Make the power output terminal link to the led light panel lamp input
- Make the power input terminal received AC power supply



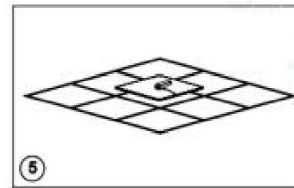
Embedded installation of led light panel



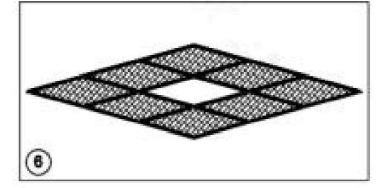
Make rotating face of the led light panel



Make face of the led light panel down



Make the panel light and the ceiling lanterns position adjustment aligned

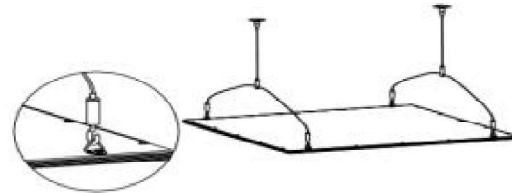
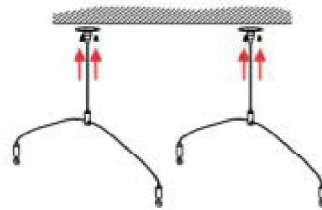


Completed the installation process

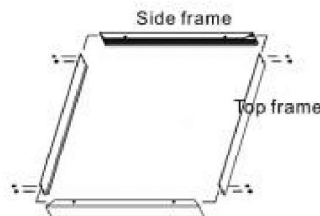
2. Suspended mounting

1 Screw the steel cable into the ceiling

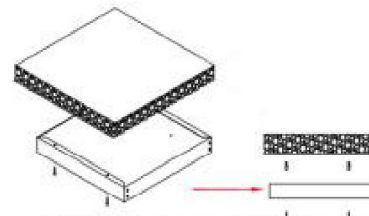
2 Using the steel cable hook suspending the four hangers of the panel



3. Surface mounting

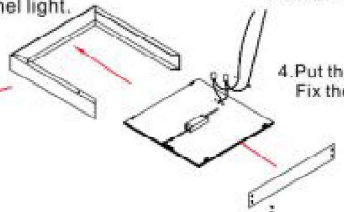


1. Fix the bracket of LED panel light.



2. Screw the bracket on the ceiling roof or wall.

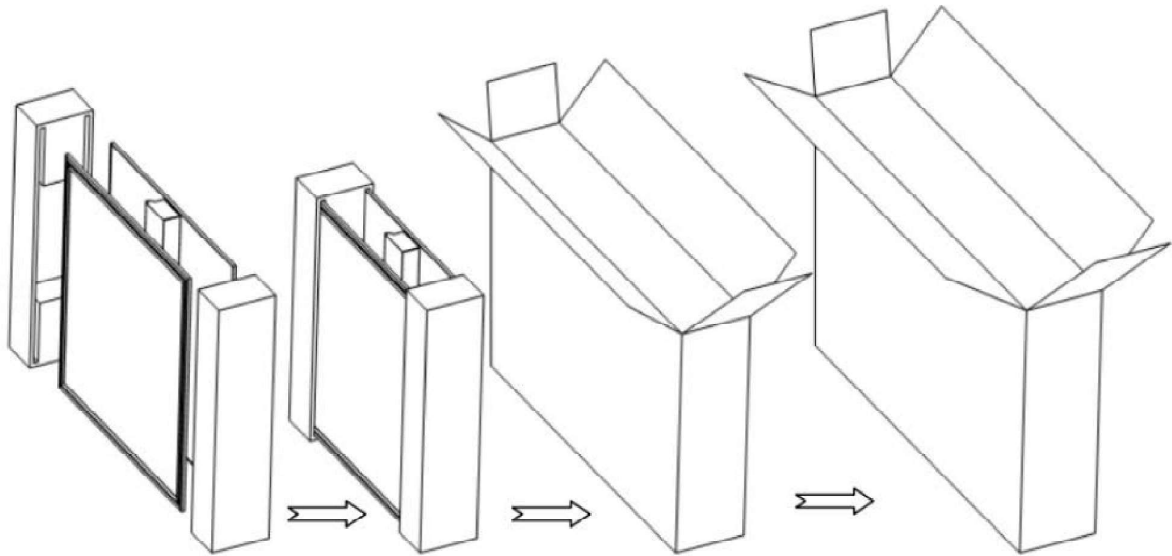
3. Take one side off.



4. Put the LED panel light into the bracket from this side. Fix the side which was taken off by step

Packing information

Part No.	Dimension (mm)	QTY/CTN	G.W(KG)/CTN	Packing size (mm)
YLL-P01,P02,P03	301*1213*11.5mm	4PCS	16.5	1315*685*2655mm
YLL-P04,P05,P06	603*603*11.5mm	4PCS	16	685*265*685mm
YLL-P07,P08,P09	603*1213*11.5mm	2PCS	15	1315*145*685mm



REMARK

1. The working voltage of led panel is DC24V, AC100V-270V, should be handled and installed by professional electrician.
2. Please read the instructions carefully and keep the manual for further use.
3. Please shut down the power before cleaning and maintaining. Do not use liquid or corrosive gas detergents to wipe the housing.
4. Do not try to fix led panel by yourself in order to avoid getting an electric shock or other harm.
5. Please handle it to a qualified maintenance engineer to repair.
6. Avoid the rain and strong mechanical vibration in the process of transportation.
7. Under the following circumstances: damaged electric wire or power supply, moisture penetration, drop down or damage the housing and other problems caused product's repairing, please turn off the power ant contact a qualified repairman.